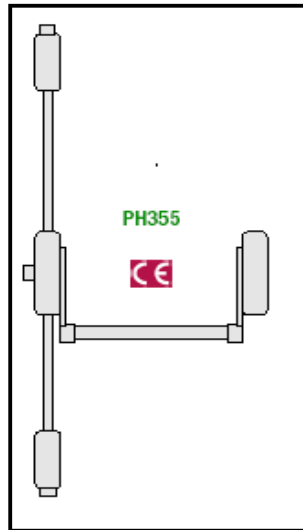


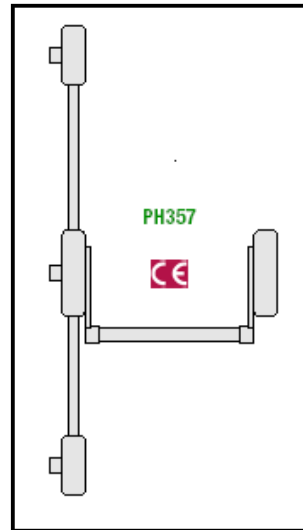
PH350 Single Panic Latch

Size Of Doors

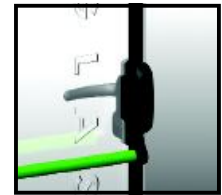
Standard devices suit doors upto 2650mm High x 1060mm wide. For wider doors the range includes arms of 1150 - 1450mm Vertical rods are available to suit doors Up to 3150mm high.



PH355 3pt Panic Bolt



PH357 3pt Panic Latch



Glass Doors

Patch fittings suitable for glass are available for the modular range Please call for details

Antipanic Modular Push Bars

The modular push bar panic device range comprises of modular components - standard mechanism , idler and cross arm together with either vertical or side entry Pullmans to give variants of one, two or three point latches or two/three point bolts. The reversible mechanisms, idlers, Pullmans and vertical rod covers are available in powder coated finishes of silver, black, white or metallic silver plus the option of a satin anodised aluminium, stainless steel plated finish, Various RAL colours are available to special order. Supplied with striker plates for timber doors, but also available for PVC-u, aluminium or steel doors.

Dogging Facility

The modular range is available with or without a dogging facility - please specify at time of ordering. Please note that current legislation of BS EN1125 specifies that for fire / smoke door assemblies the panic device shall not include any form of dogging mechanism. Therefore any device incorporating dogging can be used on escape doors only.

Microswitch

The modular range also offers the option of a micro-switch housed in the device. Please specify whether a micro-switch is required in mechanism, idler or both.

Outside Access

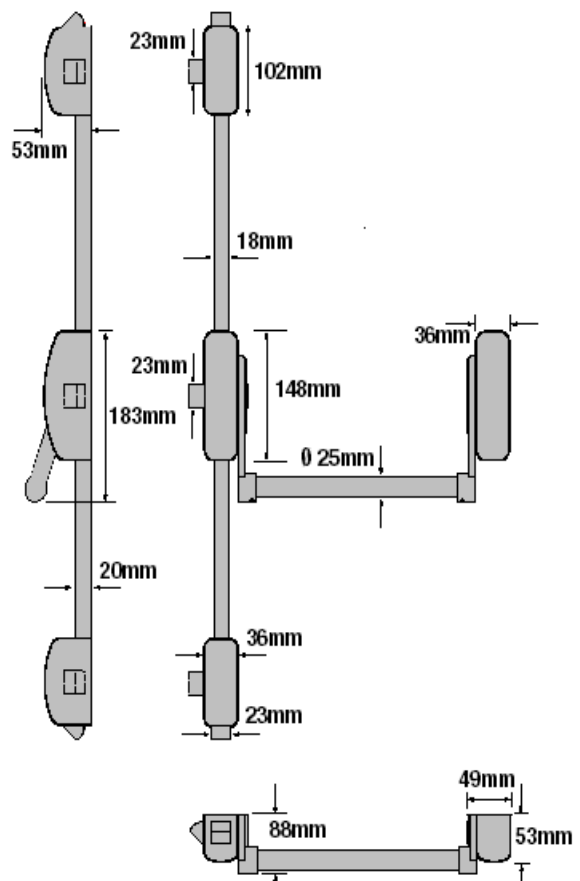
Optional outside access devices with lever handle or knob are available in various finishes. These are available as standard or key retaining versions and can be supplied with standard or high security cylinders. Where outside access is required, a hole pierced to take 8mm square spindle and two further holes Of 10mm diameter for the screw ports will be required to connect the device and outside access together

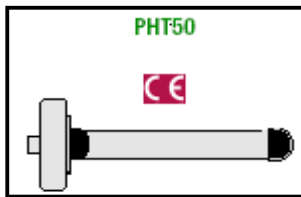
Handing of Reversible Devices

All devices can be converted from left to right hand in minutes

Fixing

Entirely surface mounted except where outside access function is required

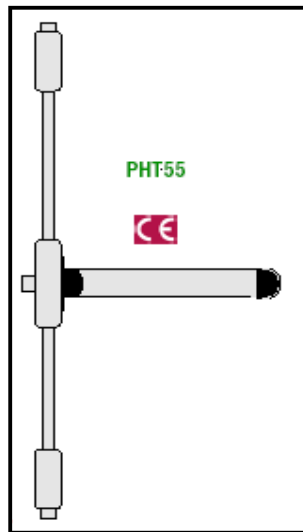




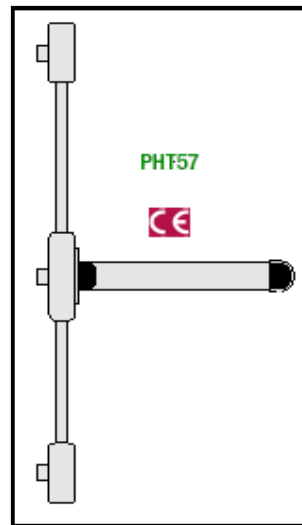
PHT50 Single Touch Bar Latch

Size Of Doors

Standard devices suit doors upto 2650mm High x 860mm wide.
For wider doors the range includes arms of 1170 - 1300mm
Vertical rods are available to suit doors Up to 3150mm high.
Standard Size touch bar 840mm can be cut down to 300mm for a small door leaf.



PHT55 3pt Touch Bar Bolt



PHT57 3pt Touch Bar Latch

Antipanic Modular Push Bars

The touch bar panic exit range comprises of modular components - The full width touch bar mechanism (complete with dogging as standard) can be used with either vertical or side entry Pullmans to give variants of one, two or three point latches or two/three point bolts. Supplied with striker plates for timber doors, but also available for PVC-u, aluminium or steel doors.
The reversible touch bar mechanism, Pullmans and vertical rod Covers are available in powder coated finishes of silver, black and white together with a new metallic silver effect painted finish plus the option of a green touch bar. It is also available in satin stainless steel plated finish. Various RAL colours are also available

Dogging Facility

The touch bar range is available with or without a dogging facility - please specify at time of ordering. Please note that current legislation of BS EN1125 specifies that for fire / smoke door assemblies the panic device shall not include any form of dogging mechanism. Therefore any device incorporating dogging can be used on escape doors only.

Microswitch

The modular range also offers the option of a micro-switch housed in the device. Please specify whether a micro-switch is required in mechanism, idler or both.

Outside Access

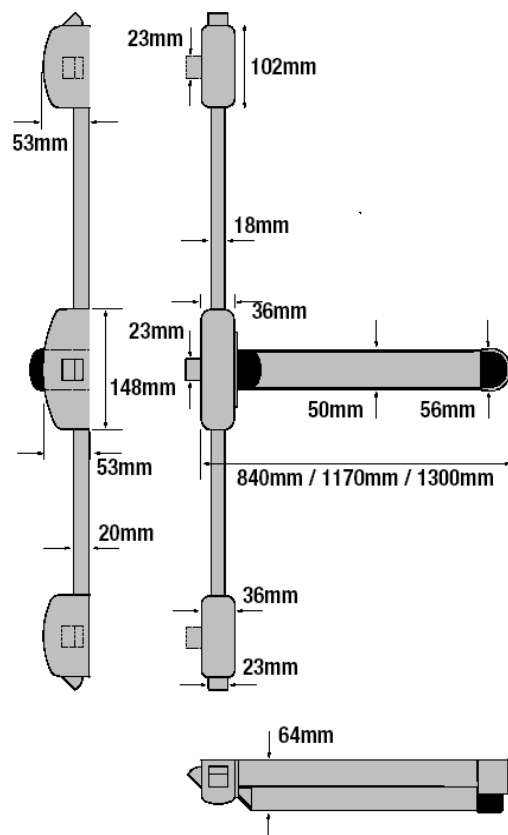
Optional outside access devices with lever handle or knob are available in various finishes. These are available as standard or key retaining versions and can be supplied with standard or high security cylinders. Where outside access is required, a hole pierced to take 8mm square spindle and two further holes Of 10mm diameter for the screw ports will be required to connect the device and outside access together

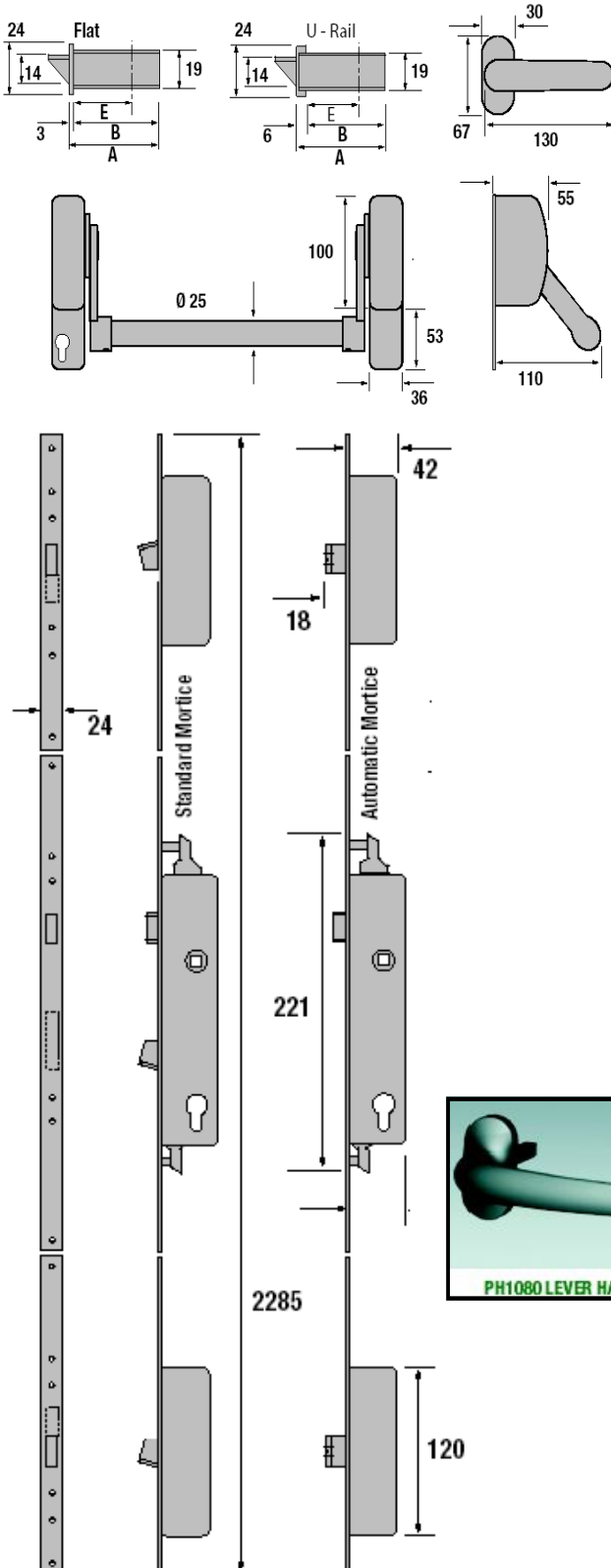
Handing of Reversible Devices

All devices can be converted from left to right hand in minutes

Fixing

Entirely surface mounted except where outside access function is required





Antipanic Mortice Push Bars

The Antipanic 3 point standard or 2 point automatic mortice push bar device comprises of a concealed lock case available in 30mm or 35mm backset together with surface mounted mechanism, idler and push bar. The device is operated by the cross arm from inside. Or with a cylinder and lever handle on the outside.

The 24mm U-rail or flat faceplate is available in stainless steel and the mechanisms in powder coated black as standard with a choice of green or silver anodised aluminium cross arm other finishes are available to special order stainless steel plated finish, Various RAL colours are available to special order.

The device is designed to be morticed into the door leaf.

The standard version with three tipping deadbolts are set with the key and simple push on the cross arm will release all deadbolts allowing egress. The two point automatic version with deadbolts top and bottom will also immediate escape, however they will re-set automatically into the strikers when the door closes into the frame. Both types are available as full width push bar panic devices with optional outside access handle and cylinder. Standard or high security cylinders in various sizes to suit most door thicknesses and surface mounted striker plates for aluminium and metal doors available - please call for details

Important

These devices are designed for use on metal doors. The mortice lock is precision engineered and will not tolerate unstable door materials,

Note

The mortice range is designed for outward opening single leaf doors in a panic situation, These devices are not suitable for use on pairs of doors unless inactive lead can be independently bolted,

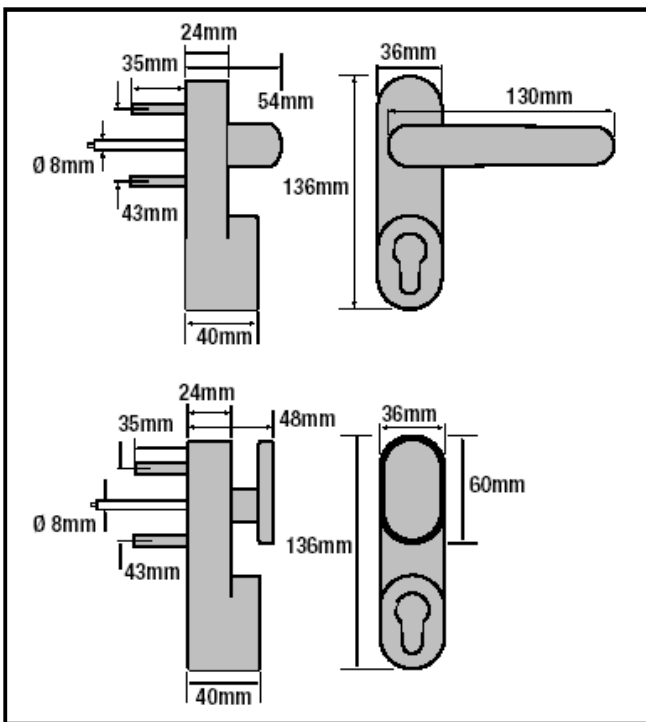
Size of Doors

To suit single leaf only doors up to 1050mm wide extra long cross arms are available up to 1600mm wide.

Outside Access

Optional outside access devices with lever handle or knob are available in various finishes. These are available as standard or key retaining versions and can be supplied with standard or high security cylinders. Where outside access is required, a hole pierced to take 8mm square spindle and two further holes Of 10mm diameter for the screw ports will be required to connect the device and outside access together

Standard	Automatic	Faceplate	E	A	B
PHM55-31	PHM55-35	U-Rail 24mm	30	45	39
PHM55-32	PHM55-36	U-Rail 24mm	35	50	44
PHM55-33	PHM55-37	Flat 24mm	30	45	42
PHM55-34	PHM55-38	Flat 24mm	35	50	47



Antipanic Outside Access Device

Optional outside access devices with lever handle or knob are available in powder coated finishes of silver, black, white or metallic silver. It is also available in satin stainless steel plated finish.

PH361 LEVER ACCESS DEVICE
PH371 KNOB ACCESS DEVICE



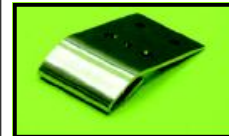
ES5000
Outside Access Digital Lock
 Outside access digital lock which has specially adapted for use with antipanic modular push bar, push pad and touch bar devices



PH4300 Aluminium



PH4304 Timber



EX9311 PCV-u



PH4304 Floor Striker



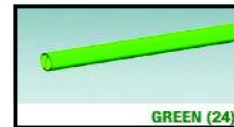
BLACK (01)



WHITE (25)

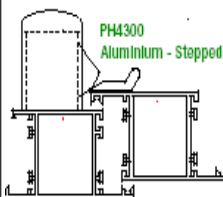


SILVER ANODISED (20)

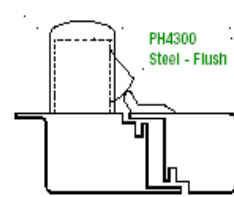


GREEN (24)

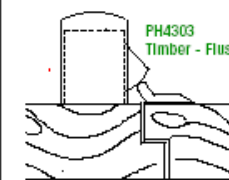
Crossbars and Pullman catches available



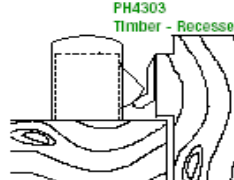
PH4300 Aluminium - Stepped



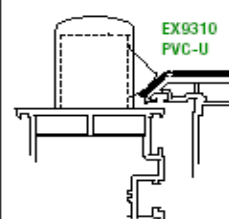
PH4300 Steel - Flush



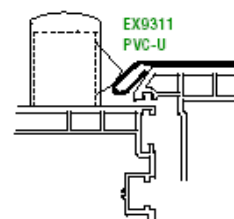
PH4303 Timber - Flush



PH4303 Timber - Recessed



EX9310 PVC-U



EX9311 PVC-U



Vertical Pullman Catches



Side Pullman Catches