



BORG 6000 Digital Door Lock

The **New Solo** is a unique coding system designed and engineered in the UK by Borg. Incorporating a single column of 6 buttons Solo offers a high security sequentially coded method of access control. With a body width of just 40mm the solo is ideal for narrow stile sections be it Aluminium or PVC-U. The free acting keypad handle is permanently clutched to provide no handle resistance until the correct code is entered.

With the Solo, Borg is also introducing a revolutionary method of code changing which eliminates the need to remove coding tumblers from the chamber whilst ensuring that the keypad does not need to be removed from the door.

The Solo is ideal for retro fitting applications as adaptable to suit a variety of different fixing and locking centres whilst the 8mm square drive makes it compatible with most multi-point locking devices.

The Solo is available in Two Models; the solo which is supplied with a separate escutcheon and the Solo 1 which incorporates an extension plate making it suitable for use with 70 , 72 & 90mm centres. The Solo 1 offers the perfect upgrade from a standard set of lever handles for PVC-U Doors ; fitted using the existing fixing centres the Solo 1 can be adapted to suit a number of different locking centres.

Features

- **New Sequential Coding Chamber.**
- **Single Column 6 Button Chamber.**
- **Greater Level of Security.**
- **Free Acting Handle.**
- **Unique on Door Code Changing ; No Need to remove keypad or Tumblers.**
- **Stainless Steel Chamber**
- **70 Degree Handle Rotation for Multi-Point Locks.**
- **Narrow Housing Perfect for PVC-U & Aluminium Sections.**
- **PVD Coated - Lifetime Guarantee on Finish.**
- **Suitable for External Applications.**



ERA British Standard Cylinders

Key Product Features

- This exciting new range of British Standard Cylinders combines quality, reliability and a competitive pricing structure.
- Cylinders in the range have been successfully tested for conformity to all of the requirements of BS EN 1303:2004* only when used in conjunction with the ERA Cylinder Rose ref 263.
- High physical security.
- Six pin tumblers incorporating anti-picking features.
- Hardened pins and mushroom rollers for drill resistance.
- The plug itself is further strengthened from screw attack.
- 30,000 differs.
- Available Master-Keyed, Differ and Keyed Alike.
- Each Cylinder is supplied with 3 keys.

* Key entry side only on thumbturn Cylinders

Era offers a comprehensive selection of **Euro Profile Cylinders**, available in a vast number of sizes and types, complementing the Euro Cylinder operated Mortice Locks and Multi-Point Locks.

Available in both Brass and Satin finishes, the euro Profile Cylinders are manufactured from solid brass incorporating either 5 pins (Standard) , 6 pins (Security) and 6 pins (High Security).

The High Security 6 pin cylinders have anti-pick, hardened pins and four mushroom drivers, offering in excess of 100,000 key differs (BS1303)

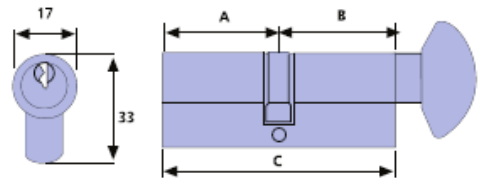
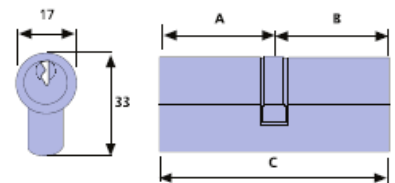
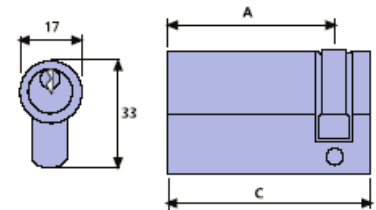
The **Single Euro Profile Cylinders**, allow opening from one side only. Ideal if security is required on one side and no access on the other.

The **High Security 6 pin Double Euro Cylinders** ensure controlled access from both sides of the lock.

The **Double Euro Thumbturn Cylinders** are ideal fro locations that require controlled access from one direction and easy access from another

Master Keying and Cylinders to Pass are available to special order.

Each cylinders is supplied with 3 keys.



Euro Cylinder and Turn



Single Euro Cylinder



Double Euro Cylinder

Dimensions (mm)			No of Pins	Brass	Satin
A	B	C			
Single Euro Profile Cylinders					
30	40	5	4030-31	4030-51	
Double Euro Profile Cylinders					
30	30	60	5	4051-31	4050-51
30	40	70	5	4055-31	4054-51
35	35	70	5	4110-31	4110-51
35	35	70	6	4067-31	4066-51
35	40	75	6	4069-31	4068-51
35	45	80	6	4071-31	4070-51
40	40	80	6	4278-31	4277-51
40	50	90	6	4082-31	4081-51
40	60	100	6	4086-31	4085-51
45	45	90	6	4288-31	4287-51
45	55	100	6	4095-31	4095-51
Double Euro Profile Thumbturn Cyl					
30	30	60	5	4101-31	4100-51

Dimensions (mm)			No of Pins	Brass	Satin
A	B	C			
Double Euro Profile BS Cylinders					
35	35	70	6	4260-31	4260-51
Double Oval Profile BS Cylinders					
35	35	70	6	4265-31	4265-51
Double Euro Profile Thumbturn BS Cyl					
35	35	70	6	4270-31	4270-51
Double Oval Profile Thumbturn BS Cyl					
35	35	70	6	4273-31	4273-51



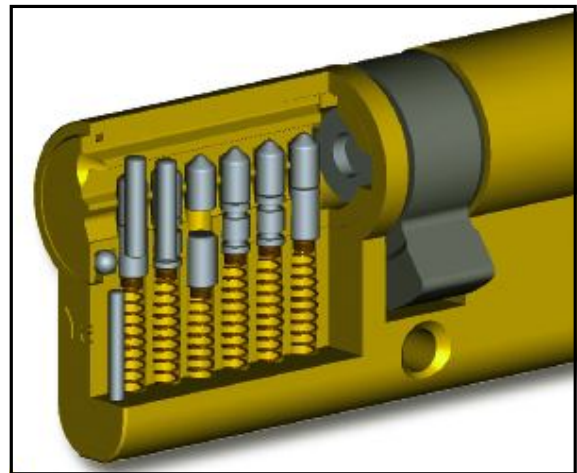
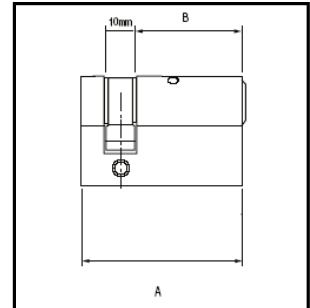
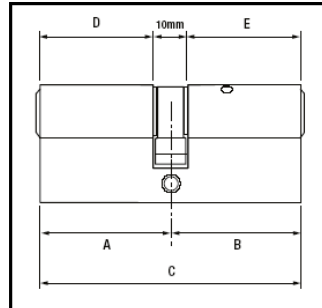
Double Oval Cylinder



YALE X6 British Standard High Performance Cylinders

Key Product Features

- High performance 6 pin cylinder.
- This product has been independently tested and meet the British Standard BS EN 1303:2005
- Over 100,000 key combinations for ultimate security.
- Keyblank number: X-Tech-Keyblank.
- Key security grade 6 and attack grade 2.
- Bump resistant
- Anti pick and anti drill feature.
- Meet the MLA vulnerability test for cylinders.
- Suitable for use on fire/smoke resisting door assemblies.
- Torque resistance of plug/cylinder relevant to attack resistance – Grade 2* 30Nm.



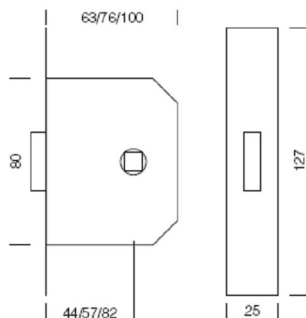
Dimensions (mm)			No of Pins					
A	B	C			Brass	Satin		
X6 Single Euro Profile Cylinders								
50	30		6	B-X6-ES3010-	SB	SC		
55	35		6	B-X6-ES3510-	SB	SC		
60	40		6	B-X6-ES4010-	SB	SC		
65	45		6	B-X6-ES4510-	SB	SC		
X6 Double Euro Profile Cylinders								
30	30	70	6	B-X6-ED3030-	SB	SC		
30	35	75	6	B-X6-ED3035-	SB	SC		
30	40	80	6	B-X6-ED3040-	SB	SC		
30	45	85	6	B-X6-ED3045-	SB	SC		
30	50	90	6	B-X6-ED3050-	SB	SC		
30	55	95	6	B-X6-ED3055-	SB	SC		
35	35	80	6	B-X6-ED3535-	SB	SC		
35	40	85	6	B-X6-ED3540-	SB	SC		
35	45	90	6	B-X6-ED3545-	SB	SC		
35	50	95	6	B-X6-ED3550-	SB	SC		
35	55	100	6	B-X6-ED3555-	SB	SC		
40	40	90	6	B-X6-ED4040-	SB	SC		
40	45	95	6	B-X6-ED4045-	SB	SC		
40	50	100	6	B-X6-ED4050-	SB	SC		
40	55	105	6	B-X6-ED4055-	SB	SC		
45	45	100	6	B-X6-ED4545-	SB	SC		
45	55	110	6	B-X6-ED4555-	SB	SC		
50	50	110	6	B-X6-ED5050-	SB	SC		

Dimensions (mm)			No of Pins					
A	B	C			Brass	Satin		
X6 Double Euro Profile Thumbturn Cylinders								
30	30	70	6	B-X6-ET3030-	SB	SC		
30	40	80	6	B-X6-ET3040-	SB	SC		
30	50	90	6	B-X6-ET3050-	SB	SC		
35	30	75	6	B-X6-ET3530-	SB	SC		
35	35	80	6	B-X6-ET3535-	SB	SC		
35	45	90	6	B-X6-ET3545-	SB	SC		
35	50	95	6	B-X6-ET3550-	SB	SC		
40	30	80	6	B-X6-ET4030-	SB	SC		
40	35	85	6	B-X6-ET4035-	SB	SC		
40	40	90	6	B-X6-ET4040-	SB	SC		
40	50	100	6	B-X6-ET4050-	SB	SC		
45	30	85	6	B-X6-ET4530-	SB	SC		
45	35	90	6	B-X6-ET4535-	SB	SC		
45	40	95	6	B-X6-ET4540-	SB	SC		
45	45	100	6	B-X6-ET4545-	SB	SC		
45	50	105	6	B-X6-ET4550-	SB	SC		
50	30	90	6	B-X6-ET5030-	SB	SC		
50	35	95	6	B-X6-ET5035-	SB	SC		
50	40	100	6	B-X6-ET5040-	SB	SC		



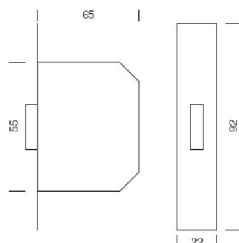
ARRONE Tubular Mortice Latch

- AR/M-719
- Available in 63mm & 75mm
- Polished Brass, Nickel Plated & Polished Stainless Steel.
- Square and Radiused Forend.



ARRONE Flat Mortice Latch

- AR/M-720
- Available in 63mm, 75mm & 100mm.
- Polished Brass, Satin Chrome & Polished Stainless Steel.
- Square and Radiused Forend.
- Rebate sets are available in 13mm or 25mm and matching finishes.



ARRONE Adjustable Roller Latch

- AR/M-750
- Available in 63mm only.
- Polished Brass, Satin Chrome & Polished Stainless Steel.



ARRONE 3 Lever Mortice Sashlock

- AR/M-701
- Available in 63mm & 75mm
- Polished Brass & Satin Chrome
- Rebate Sets are available in 13mm or 25mm and matching finishes



ARRONE 3 Lever Mortice Deadlock

- AR/M-702
- Available in 63mm & 75mm
- Polished Brass & Satin Chrome
- Rebate Sets are available in 13mm or 25mm and matching finishes



ARRONE 5 Lever Mortice Sashlock

- AR/M-714
- Available in 63mm & 75mm
- Polished Brass, Satin Chrome & Polished Stainless Steel.
- Rebate Sets are available in 13mm or 25mm and matching finishes



ARRONE 5 Lever Mortice Deadlock

- AR/M-715
- Available in 63mm & 75mm
- Polished Brass, Satin Chrome & Polished Stainless Steel.
- Rebate Sets are available in 13mm or 25mm and matching finishes



**ARRONE British Standard
5 Lever Mortice Sashlock
(BS3621:2004)**

- AR716
- Available in 63mm & 75mm
- Polished Brass & Satin Stainless Steel.
- Square and Radiused Forend
- Rebate Sets are available in 13mm or 25mm and matching finishes



**ARRONE British Standard
5 Lever Mortice Deadlock
(BS3621:2004)**

- AR717
- Available in 63mm & 75mm
- Polished Brass & Satin Stainless Steel.
- Square and Radiused Forend
- Rebate Sets are available in 13mm or 25mm and matching finishes



British Standard Egress Night Latch

The New BS8621:2004 standard mirrors the BS3621:2004 But is for 'escape' locks. The locks are classified as providing keyless egress at all time. This applies where there is a requirement for easy action method of opening an external door from the inside with no need for keys or similar devices. For unlocking. Especially relevant for entrance doors in multi-residential and other buildings. A keyless lever in the inside of the door ensures it is possible to make an emergency escape in the event of a fire.

Available in 40mm and 60mm Backset

Description	40mm Part Number	60mm Part Number
Brass Effect body, Brass Cylinder	1530-31	1730-31
Satin Chrome Body, Satin Cylinder	1530-35-1	1730-35-1
Polished Chrome Body, Chrome Cylinder	1530-37-1	1730-37-1
Satin Nickel Body, Satin Cylinder	1530-40-1	1730-40-1



ERA Traditional Door Lock

The ERA Traditional Door Lock has been designed to replace most existing front door locks, providing added security to new exterior and interior doors. The lock is suitable for left or right handed operations, Inward or outward opening doors*. A simple snib button deadlocks the latch from the inside. The Traditional Door Lock is available in Brass or Green finish, and has a choice of brass or satin finish cylinders, supplied with three cut keys.

Description	Part Numbers
Green Body, Brass Cylinder Box	133-81
Green Body, Satin Cylinder Box	135-81
Brassed Body, Brass Cylinder Box	133-31
Chrome Body, Chrome Cylinder Box	136-61



ERA Replacement Cylinder

The ERA Replacement Cylinder are suitable for all ERA front Door Lock Models as well as other makes of front door locks. The Rim Cylinder has an advanced specification rim for added security. Each Cylinder is supplied with 3 keys.

Brass	863-31
Satin	863-51